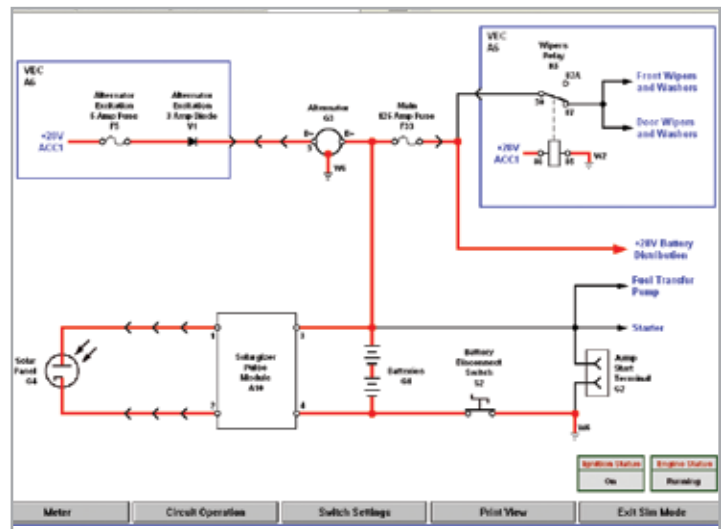
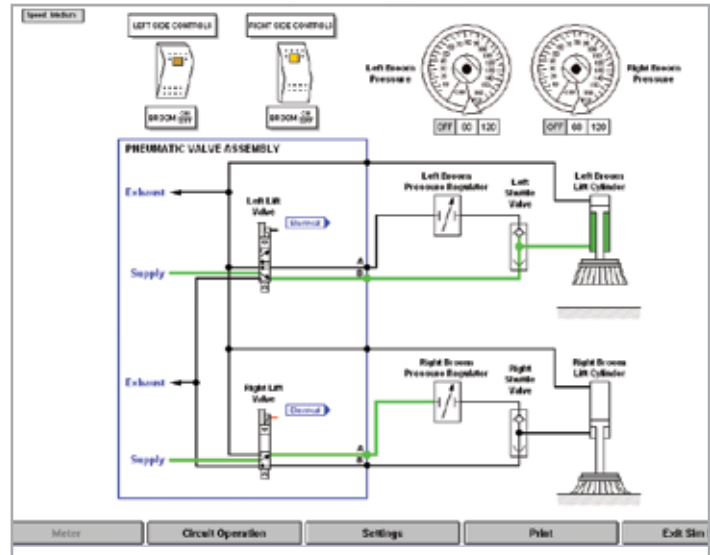


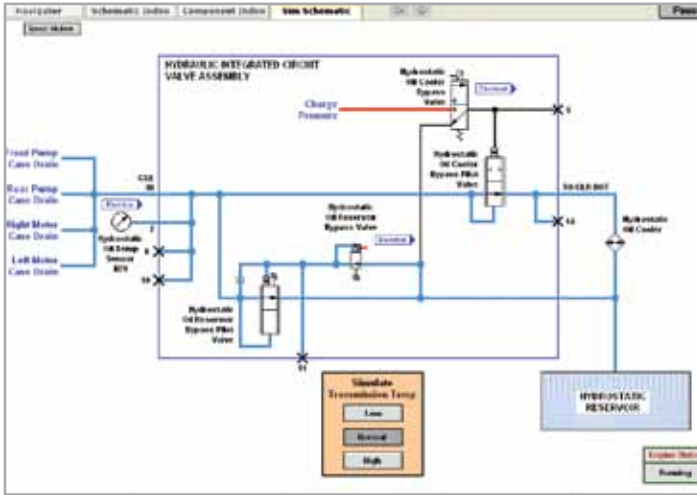
p2Sim™ Overview

- A visual maintenance and training tool designed to support both experienced and novice maintainers / trainers
- Simplifies complex electrical, hydraulic, pneumatic and fluid flow schematics by displaying them as logical, discrete and simplified functional circuits
- Maximizes use of graphics and animation to illustrate equipment operation and troubleshooting concepts
- Color-coded animation accurately depicts electrical, hydraulic, pneumatic and fluid flow under varying conditions
- Provides understandable theory of operation on circuits and major components
- Employs high-end multimedia, digital photography, 3-D, video and audio, as required
- Includes non-intrusive meters for voltage, current and fluid flow
- Fault insertion can be provided to simulate malfunctions under various conditions
- User training is enhanced through replicas of physical components and standard SAE symbology
- Comprehensive tutorial and context sensitive help file gives detailed instructions for every feature and function in the application.
- Integrates with and enhances the DSS p2Trace™ application
- Can readily be employed as a stand-alone tool, or integrated within troubleshooting, maintenance and repair procedures of existing Interactive Electronic Technical Manuals / Electronic Technical Manuals (IETM / ETM), including the S-1000D IETM standard
- Supports troubleshooting, maintenance and on-the-job (OJT) training requirements simultaneously
- Reduces system life-cycle cost by decreasing fault isolation, troubleshooting and training time expended
- Currently employed on many U.S. DoD / U.K. military programs – Lauded by all



Description & Purpose

p2Sim™ is a visual application designed and developed specifically for equipment maintainers and training staff. The application is designed for maintainers and trainers by maintainers and trainers who possess extensive practical industry experience to convey precise, effective troubleshooting and repair information of complex electrical, hydraulic, pneumatic and fluid flow systems. p2Sim™ is especially useful to the maintainer who is working with equipment that requires reference to and analysis of large volumes of cumbersome, complicated wiring or piping diagrams. It is equally useful to the on-the-job trainer or instructor in the traditional classroom environment.



The Basic p2Sim™ Process

- Electrical, hydraulic and pneumatic engineers analyze the equipment source data and extract the pertinent circuitry relating to a specific function (e.g., master power) and then create a simplified, discrete circuit representation. Function layout is left-to-right and top-to-bottom for clarity and understanding
- Multimedia experts use high-end multimedia authoring tools to animate and colorize the functionalities of the selected circuits. Components in the simplified circuits are made interactive and are presented as dynamic displays
- Circuit and component level theory are developed
- Digital photographs and / or line drawings are used to depict components and their locations to enhance the learning and understanding process
- When appropriate, engineers design and develop animated simulations of circuits and components to help clarify difficult to understand equipment functions
- Links to IETM / ETM / p2Trace™ are applied, when required
- An interactive menu allows instant access to component information (View, Theory and Animation) or IETM information (Repair, Replace or Repair Parts Special Tools List/Illustrated Parts Breakdown (RPSTL / IPB)
- All p2Sim™ circuits go through extensive internal quality control checks to ensure accuracy prior to submittal for certification and acceptance by the customer.

P2SIM™ IS A PRODUCT OF DIGITIZED SCHEMATIC SOLUTIONS (DSS) LLC, WESTLAKE VILLAGE, CALIF.

Whether the potential equipment problem is electrical, hydraulic, pneumatic, fluid flow or the electro-mechanical interfacing of complex systems, p2Sim™ presents circuits in a logical and intuitive left-to-right progression. This allows the user to easily follow and understand the principles being illustrated. Hyperlinks enable continuation from one related circuit to another. Interactive components that affect circuit operation, such as switches, circuit breakers, relays or valves are programmed to function exactly as they do on the actual equipment. Wiring is programmed to display current flow under various, selectable conditions. Piping is also programmed to show fluid flows under various selectable conditions.